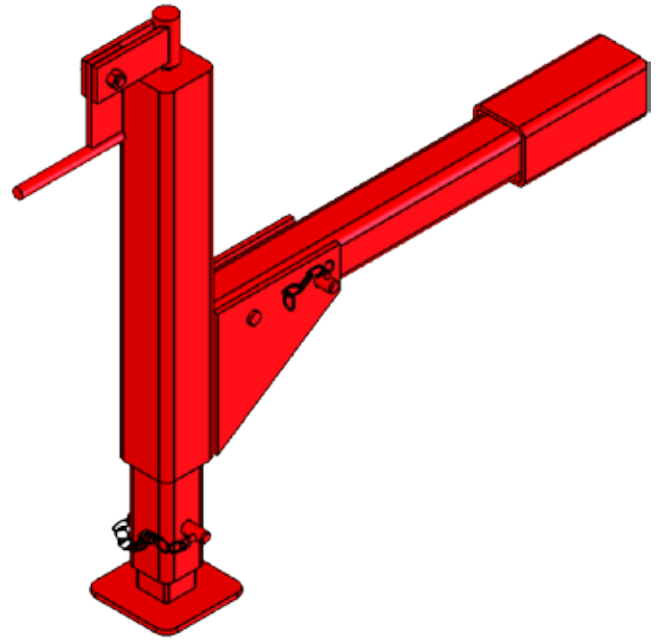


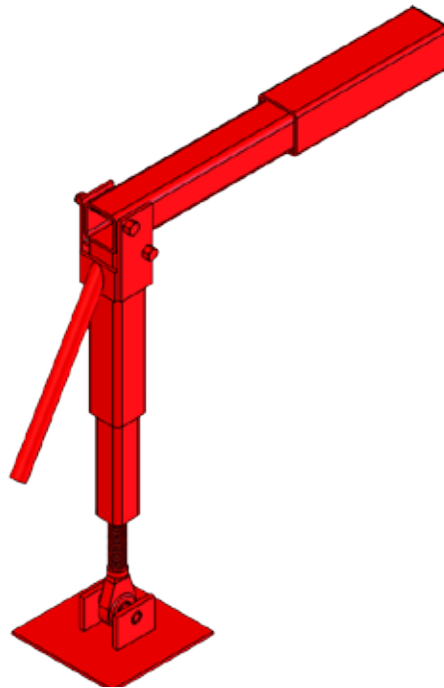
JKL1

Jackleg - removable, light duty with socket. Breakover type with pin adjustment. Crane capacity: 4,000 lbs. or less.



JKL2

Jackleg - removable, medium duty with socket. Crank type with pin adjustable foot. Crane capacity: 4,000 lbs. or less.



JKL3

Jackleg - removable, heavy duty with socket. Breakover type with screw adjustable foot. Crane capacity: 6,000 lbs. or less.