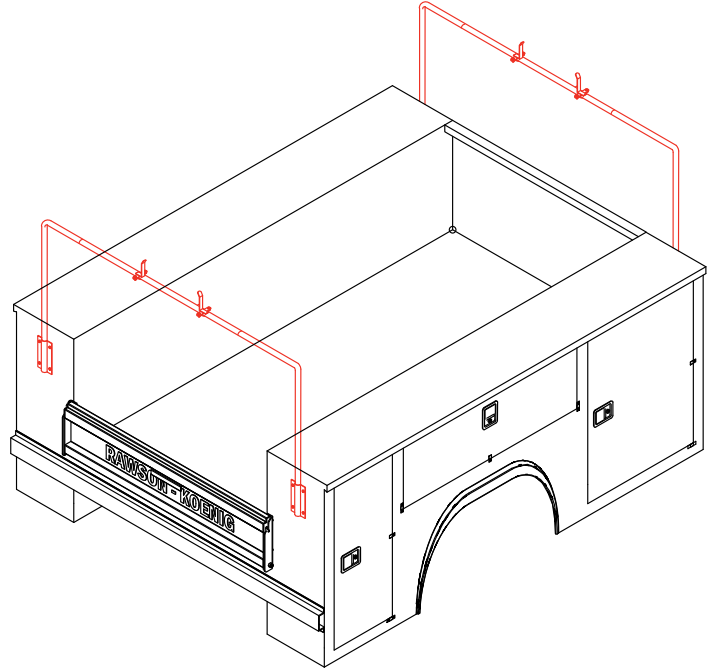


One-Piece Overhead Style. Bow Type.

Model	Application	Floor Width
BOW401P	All Service Bodies.	40"
BOW491P	All Service Bodies.	49"
BOW511P	All Service Bodies.	51"
BOW541P	All Service Bodies.	54"
BOW591P	All Service Bodies.	59"/60"
BOW651P	All Service Bodies.	65"

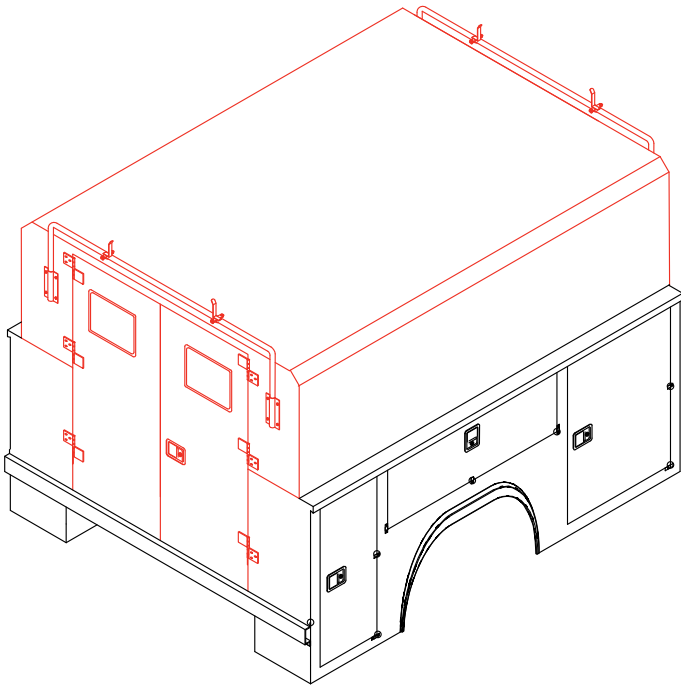
Not available with Rear Access Doors or Light Holes High.



Two-Piece Overhead Style. Bow Type.

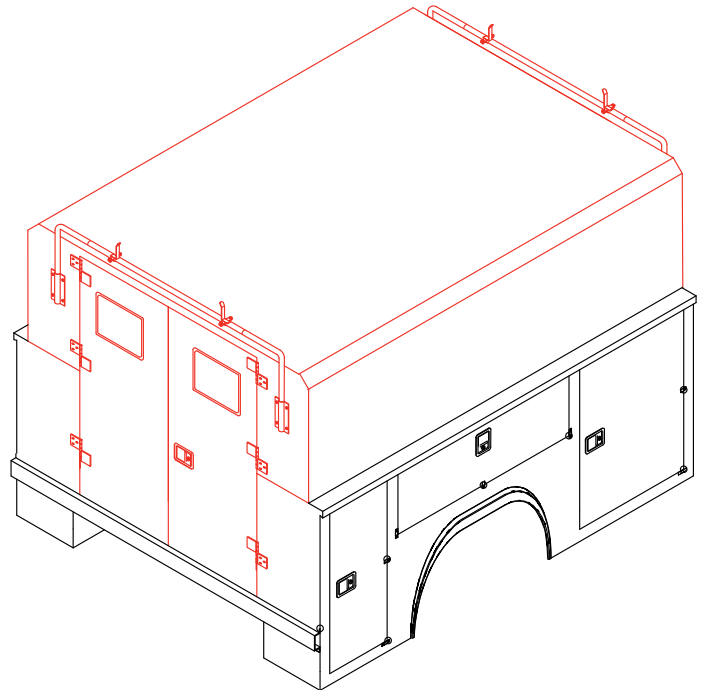
Model	Application	Floor Width
LRO40	All Service Bodies.	40"
LRO49	All Service Bodies.	49"
LRO51	All Service Bodies.	51"
LRO54	All Service Bodies.	54"
LRO59	All Service Bodies.	59"/60"
LRO65	All Service Bodies.	65"

Not available with Rear Access Doors or Light Holes High.



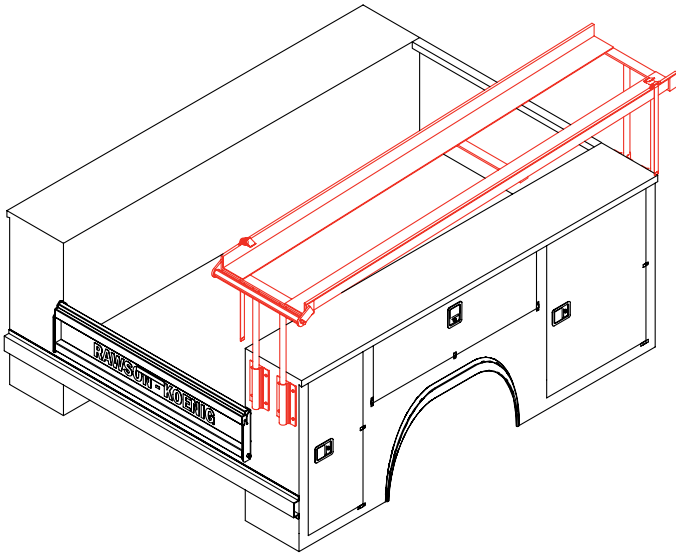
One-Piece Overhead Style. Bow Type. For Bodies with Canopies

Model	Application	Floor Width
BOW40C1P	All Canopies.	40"
BOW49C1P	All Canopies.	49"
BOW51C1P	All Canopies.	51"
BOW54C1P	All Canopies.	54"
BOW59C1P	All Canopies.	59"/60"
BOW65C1P	All Canopies.	65"



Overhead Style. Bow Type. For Bodies with Canopies

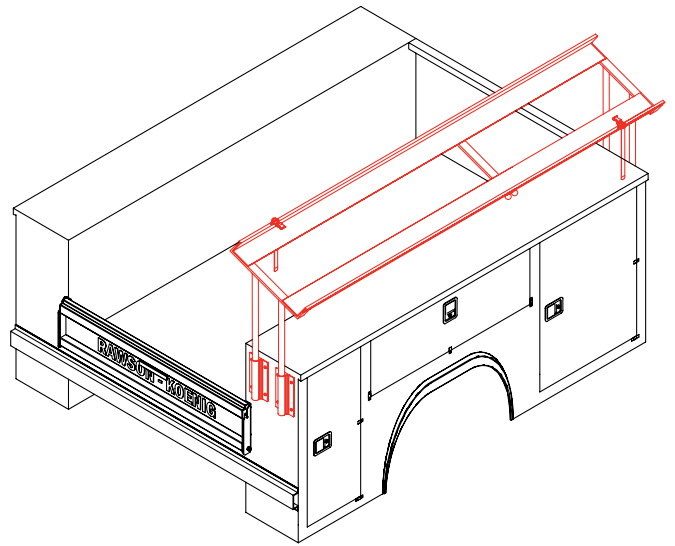
Model	Application	Floor Width
LRO40C	All Canopies.	40"
LRO49C	All Canopies.	49"
LRO51C	All Canopies.	51"
LRO54C	All Canopies.	54"
LRO59C	All Canopies.	59"/60"
LRO65C	All Canopies.	65"



Side Mounted, Flat Type with roller on rear end and web strap hold-down.

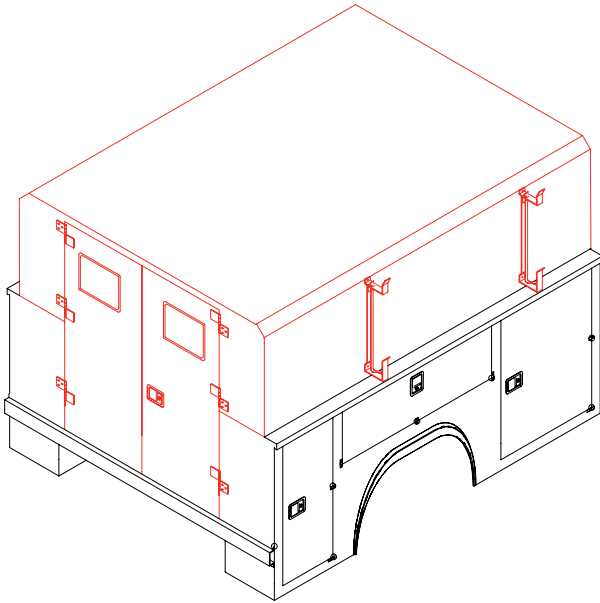
Model	Application	Body Length
LRF74	All Service Bodies.	74"
LRF84	All Service Bodies.	84"
LRF96	All Service Bodies.	96"
LRF108	All Service Bodies.	108"
LRF132	All Service Bodies.	132"
LRF156	All Service Bodies.	156"
LRF168	All Service Bodies.	168"

Not available with Rear Access Doors or Light Holes High.

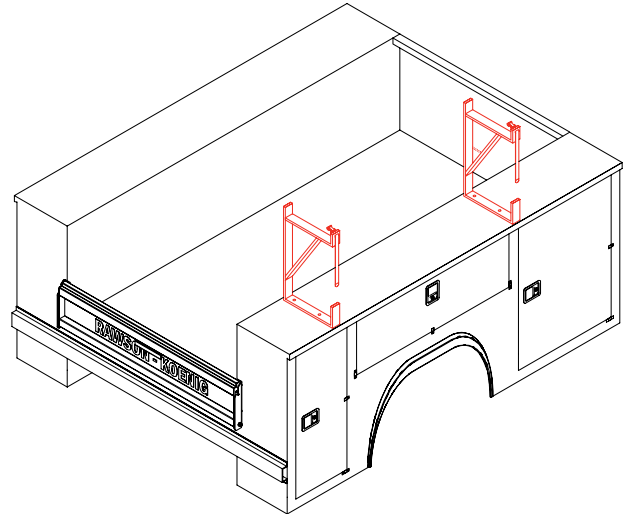


* Side Angle Type with full length rails and two (2) hold-down straps.

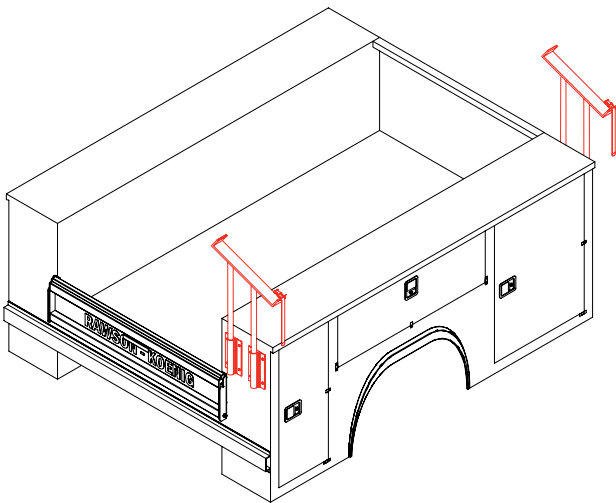
Model	Application	Body Length
LRA74	All Service Bodies.	74"
LRA84	All Service Bodies.	84"
LRA96	All Service Bodies.	96"
LRA108	All Service Bodies.	108"
LRA132	All Service Bodies.	132"
LRA156	All Service Bodies.	156"
LRA168	All Service Bodies.	168"



Model	Application
LRK2	Side mounted vertical for superstructure/canopy with 2 hold-down straps.



Model	Application
LRK4	Top mounted vertical for compartment top with 2 hold-down straps.



Model	Application
LRK5	End mounted angle type - front and rear upright only with 2 hold-down straps.

Not available with Rear Access Doors or Light Holes High.