



# COMMERCIAL GRADE TRUCK EQUIPMENT

## Service Bodies



L-Series



S-Series

### RKI Service Bodies

- 14 gauge galvaneal steel construction
- Excellent storage capacity
- Durable to work in rough terrain
- Quality workmanship built to last
- Lifetime Warranty



C-Series and G-Series  
Crane Bodies

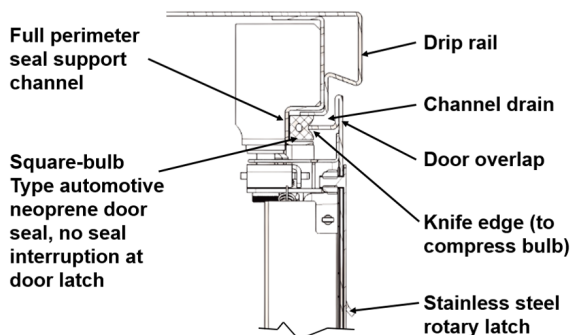


T-Series  
Top Opening Bodies

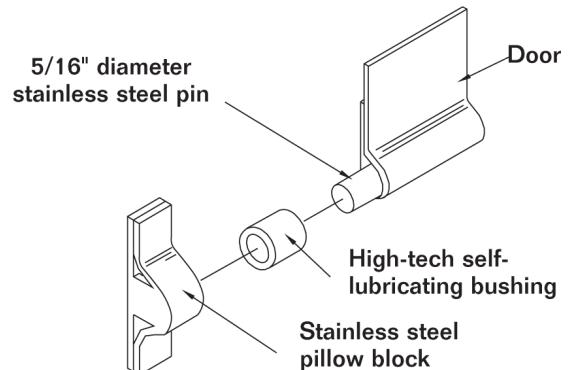


Custom Bodies

#### WEATHER PROTECTION SYSTEM



#### STAINLESS STEEL HINGE SYSTEM





# COMMERCIAL GRADE TRUCK EQUIPMENT

## Service Body Features

All hinges and pins are stainless steel

All bodies fully undercoated

All doors have heavy duty restraints

Doors are 14 gauge outer panel with 18 gauge inner panel

Fully stainless steel rotary paddle latches

Lifetime Warranty



Body 14 gauge galvalume steel

Optional Master Locking System

12 gauge treadplate floors

Optional LED lighting system

Easy one-hand opening 14 gauge tailgate

Riveted hinges standard

## Service Body Options

RKI offers a full line of accessories to complement your RKI service body. Because we know that proper service body accessories mean maximum performance, our engineers spend extra time designing the best accessory products to help you get your job done right.

- BOOK SHELVES
- BUMPERS (MANY STYLES)
- CANOPIES
- COMPARTMENT LIGHTING
- DRAWER SYSTEMS
- D-RING HANDLES
- FLEX-MOUNTING SYSTEM
- FOLD-OUT SHELVES
- GAS BOTTLE HOLDERS
- HOT STICK COMPARTMENT
- JACK LEGS
- LADDER RACKS
- LATCHES
- LIGHT GUARDS
- LIGHT HOLES
- LIGHT KITS
- LIGHT MOUNTING BRACKETS
- MASTER LOCKING SYSTEM
- MATERIAL HOOKS
- METER SHELVES (CUSTOM)
- MUD FLAPS
- OUTRIGGERS
- RAISED COMPARTMENTS
- REAR ACCESS DOORS
- SLIDE-OUT DRAWER SYSTEMS
- SLIDE-OUT TOOL BOX TRAYS
- "T" HANDLES
- TELESCOPIC TOPS
- THROUGH COMPARTMENTS
- TIRE CARRIERS
- TREADPLATE LINERS
- VISE BRACKETS
- WHEEL CHOCK HOLDERS
- WINDOW GRILLES

MANY OTHER OPTIONS AVAILABLE

