



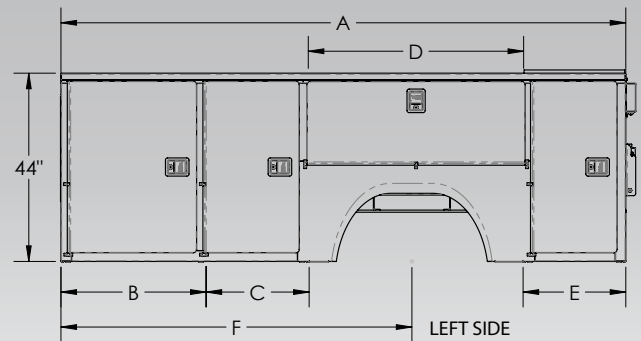
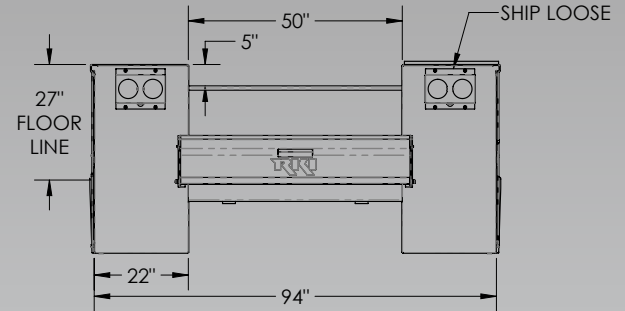
COMMERCIAL GRADE TRUCK EQUIPMENT

G Series Crane Body

Same heavy duty construction as our Standard Bodies but with even more.

STANDARD FEATURES

- 12 gauge front, rear, and bottom compartment panels
- Extra deep 22" compartments
- 50" load area width with no wheel boxes
- 12 gauge treadplate compartment tops, load area walls and front bulkhead
- 1/8" treadplate floor with reinforced understructure and flatbar longitudinal runners
- Front and rear crossmembers of heavy wall rectangular tubing
- 12 gauge treadplate overlay on tailgate
- Crane reinforcement for up to 6,400 lb. crane (40,000 ft-lbs) in right rear body compartment
- Rear light mounts included with body and shipped loose



OPTIONAL FEATURES

- Shelf package and body mounting kit are optional
- Optional large fender opening for 2-ton and larger trucks
- Predrilled crane mounting holes available. Specify pattern at time of order.



**Shown with optional tailshelf, gas bottle holder, raised front compartment, master locking system, outriggers, and D ring latches.*

SPECIFICATIONS							
Model	A Length	B Length	C Length	D Length	E Length	F Length	Approx. Weight (lbs)
G60DX94	108"	34"	N/A	50"	24"	58"	2,321
G84DX94	132"	34"	24"	50"	24"	82"	2,730