

**STANDARD SERVICE BODY
OPTIONS ILLUSTRATIONS**

RIKI

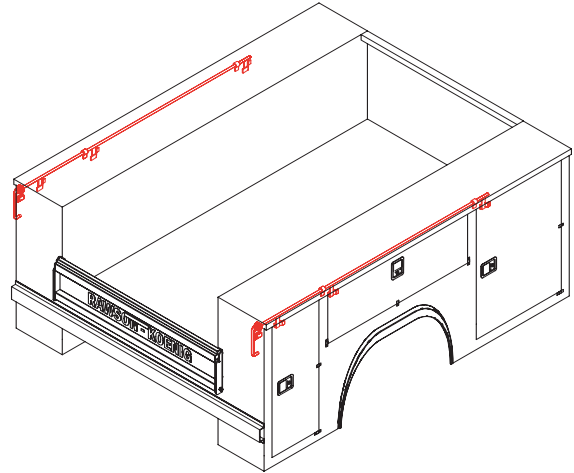
**Commercial Grade
Truck Equipment**



Table of Contents	
Bumpers	6
Canopies	14
Crane Boom Supports	3
Crane Reinforcing Kit	2
Drawer Systems	14
Gas Bottle Holders	8
Hotstick Shelf	14
Jacklegs	2
Ladder Racks	10
Latches	13
Light Holes, Litemounts	12
Liners, Treadplate	9
Master Locking System	2
Outriggers	4
Raised Front Compartment	14
Rear Access Doors	8
Slide-Out Shelf	14
Spare Tire Bracket	15
Swivel Hooks	15
Tailshelves	4
Telescoping Tops	12
Through Compartment	15
Tie Down Rings	11
Toolbox Tray	15
Topper Compartment	15
Transverse Drawer Systems	13
Vise Brackets	11
Wheel Chock Holder	15

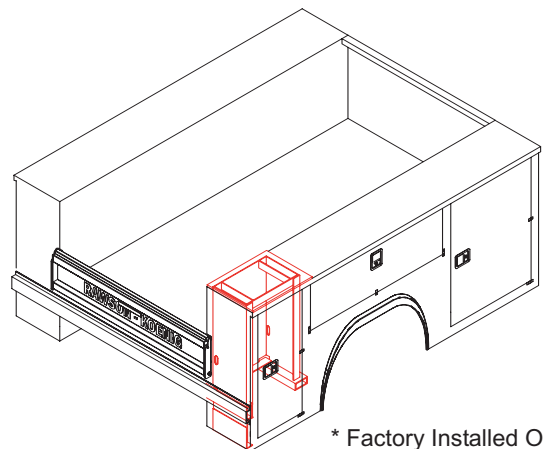
MASTER LOCKING SYSTEM

MLS - Master Locking System



CRANE REINFORCING KIT

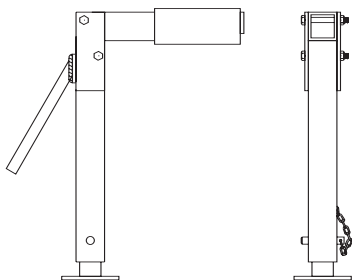
CRK - Crane Reinforcing Kit *



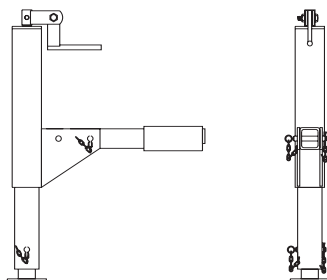
* Factory Installed Only

JACKLEGS

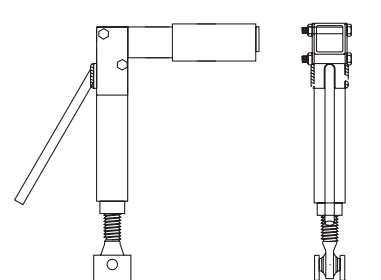
JKL1 - Breakover Jackleg



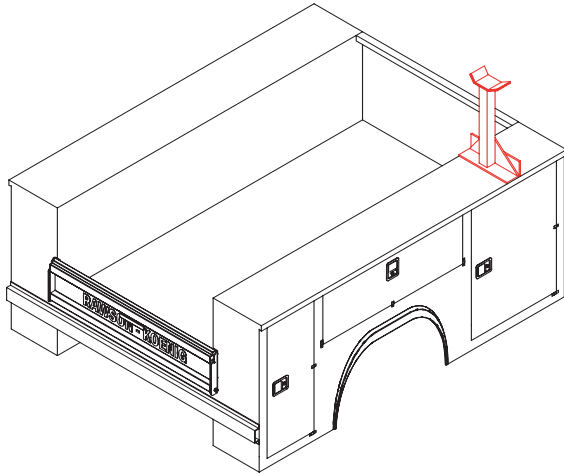
JKL2 - Crank Type Jackleg



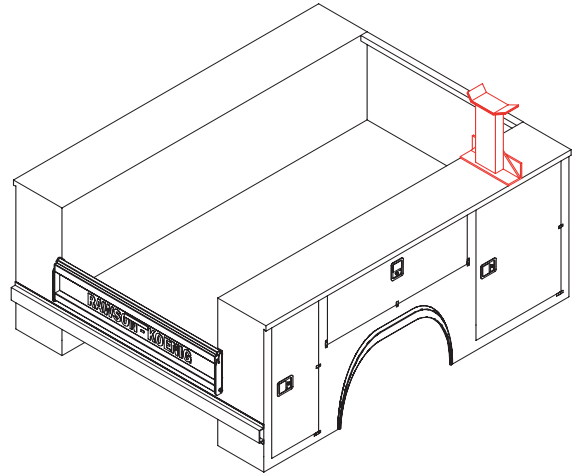
JKL3 - Screw Type Jackleg



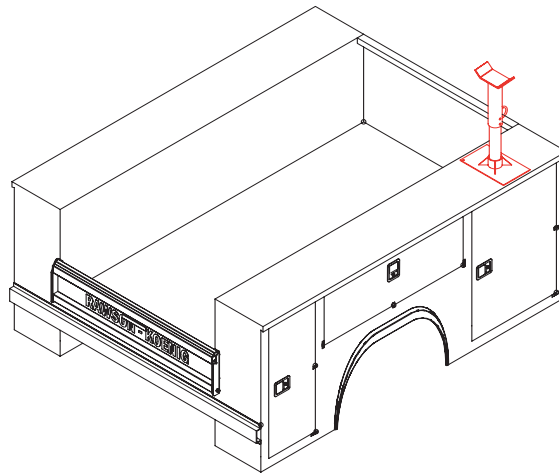
BMS1



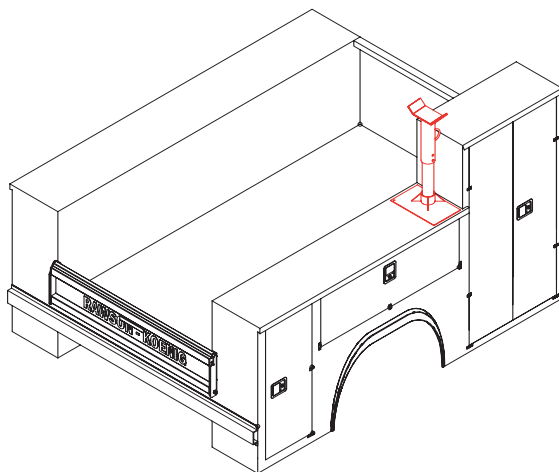
BMS1HD - Heavy Duty



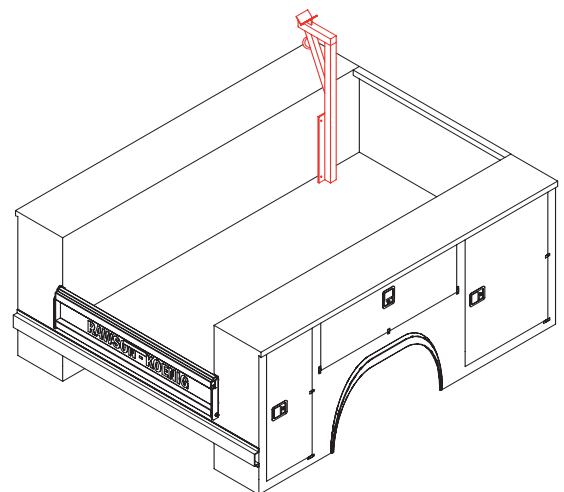
BMS1HD-ADJ - Heavy Duty Adjustable



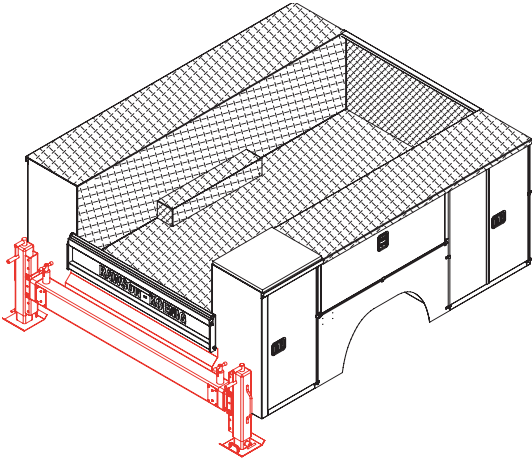
BMS1HD-RFCC for Curbside
BMS1HD-RFCS for Streetside



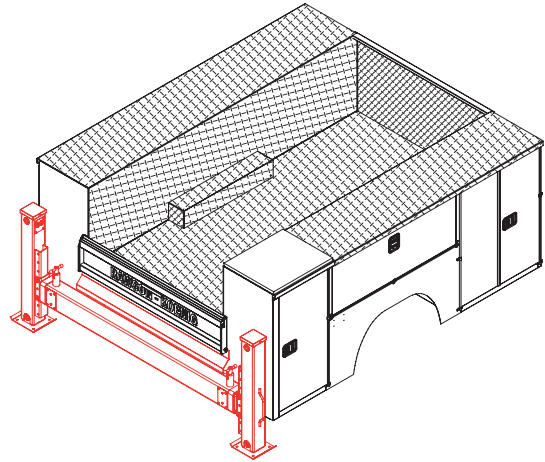
BMS2 for 14 1/2" Compartment Depth
BMS3 for 20" Compartment Depth



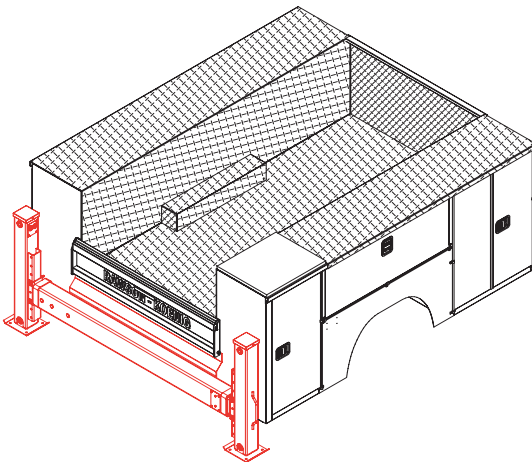
Manual Out, Crank Down



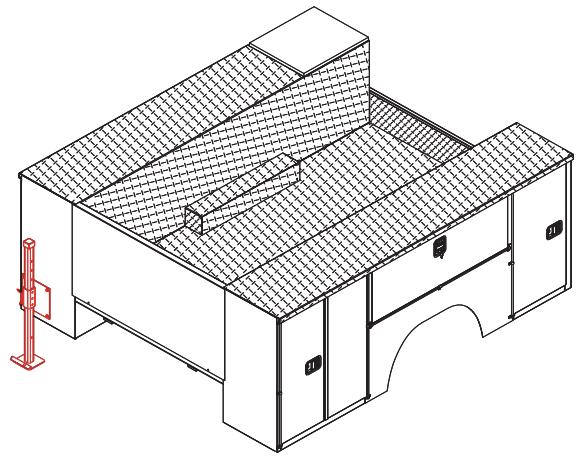
Manual Out, Hydraulic Down



Hydraulic Out, Hydraulic Down

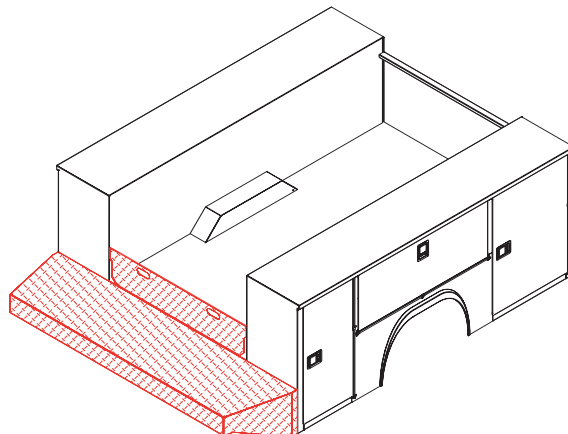


Front

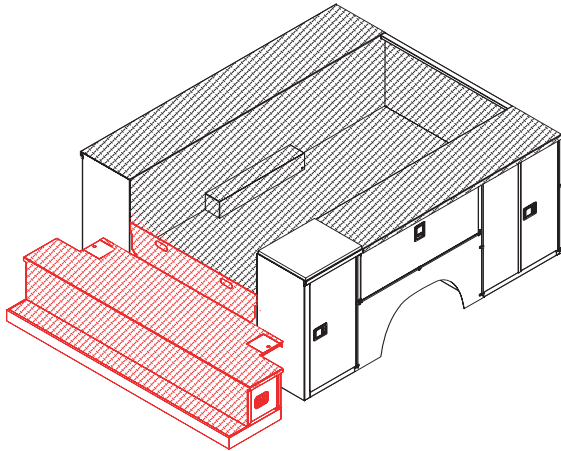


TAILSHELVES

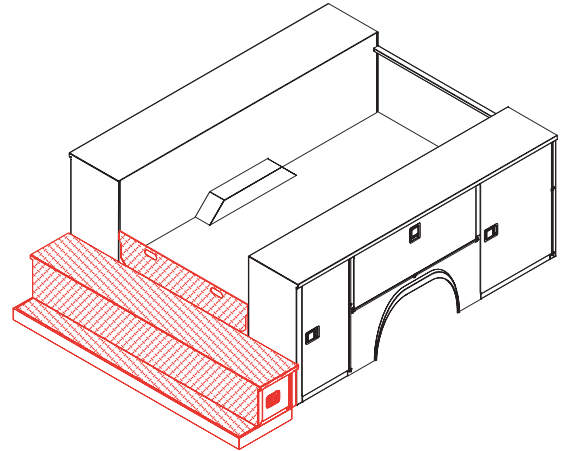
Plain



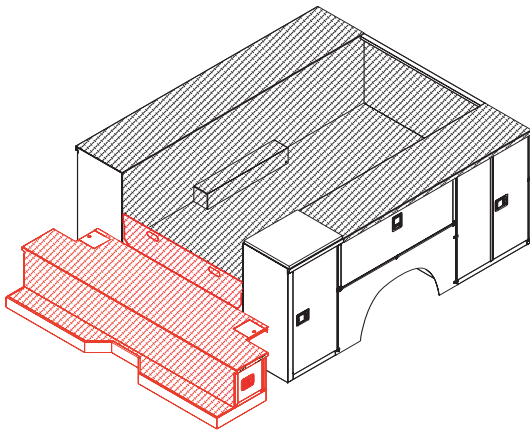
Outrigger Compartment - Plain



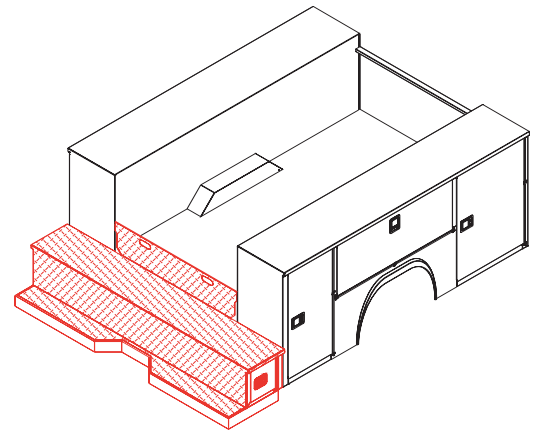
Compartment - Plain



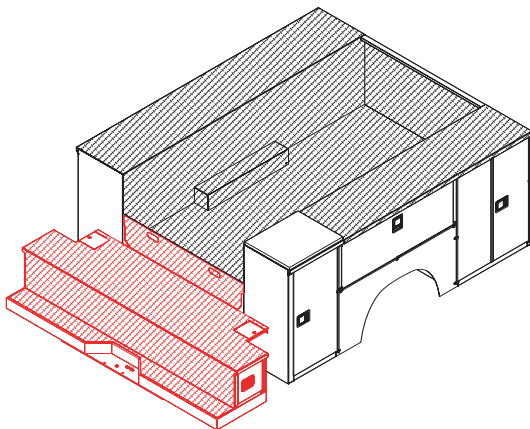
Outrigger Compartment - Pintle Hook Recessed



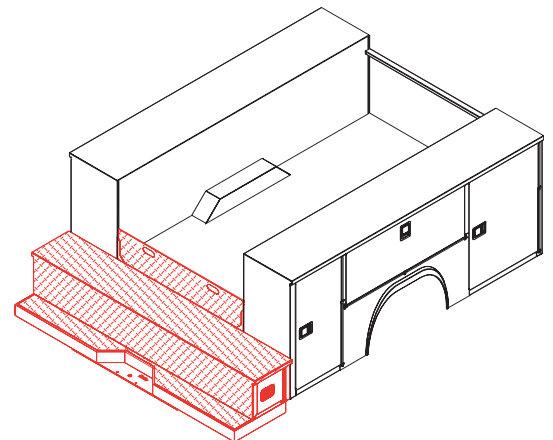
Compartment - Pintle Hook Recessed



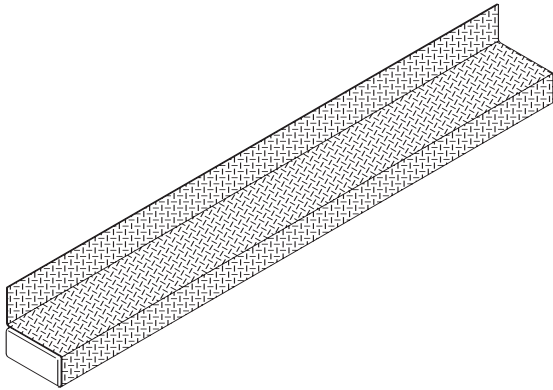
Outrigger Compartment - Ball Hitch Recessed



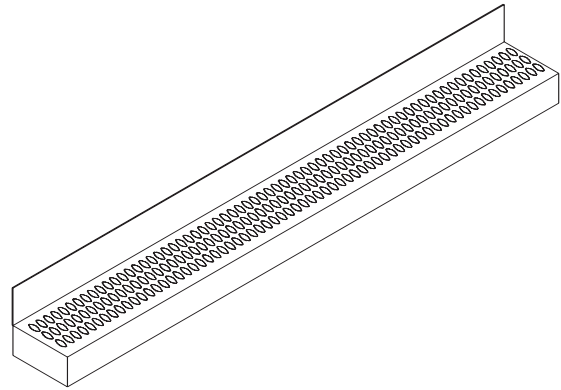
Compartment - Ball Hitch Recessed



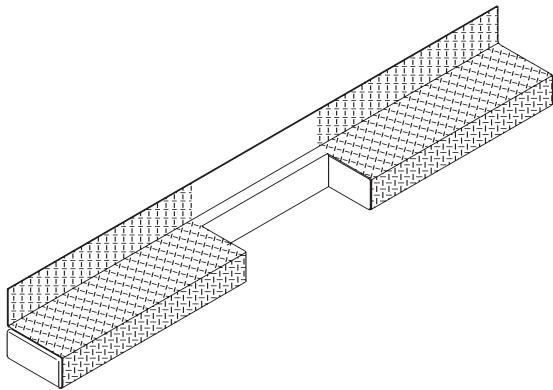
Plain Treadplate



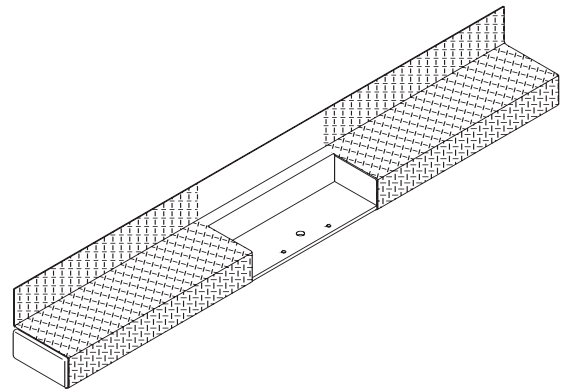
Plain Grip Strut



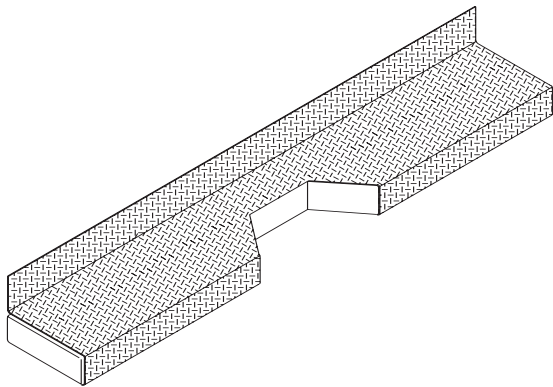
Pintle Hook Recessed Treadplate



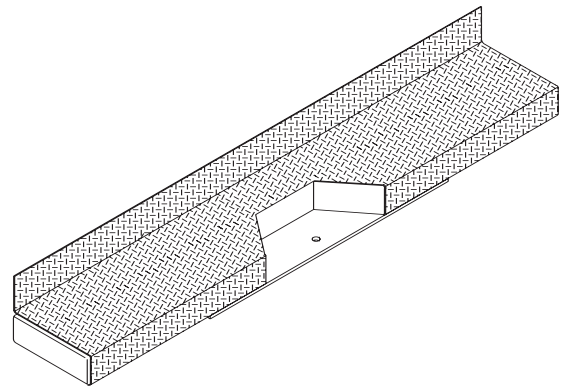
Ball Hitch Recessed Treadplate



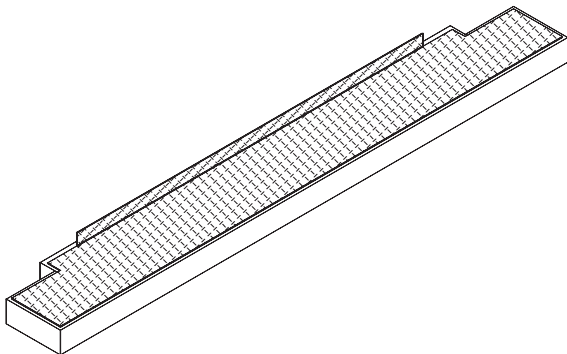
12" Pintle Hook Recessed Treadplate



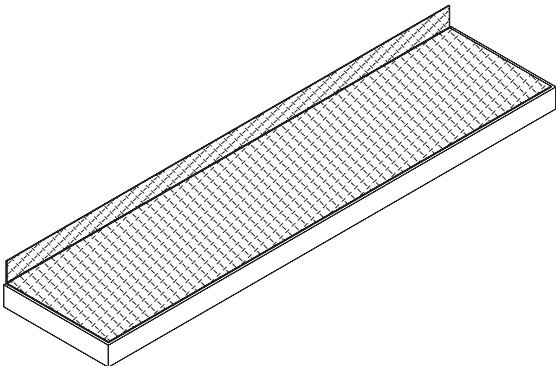
12" Ball Hitch Recessed Treadplate



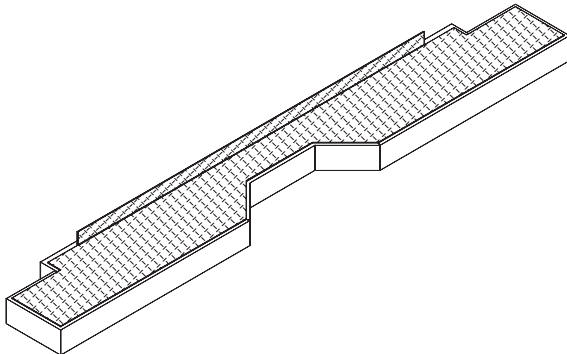
Outrigger Plain Treadplate



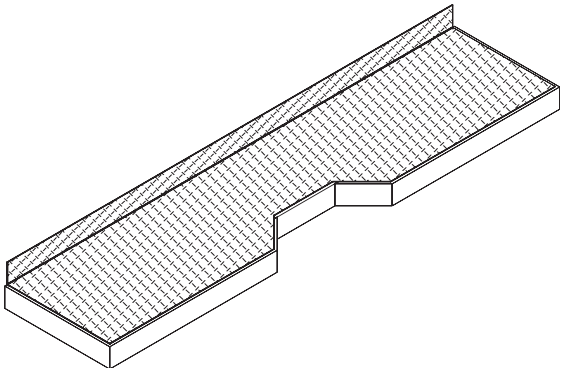
Workbench Plain Treadplate



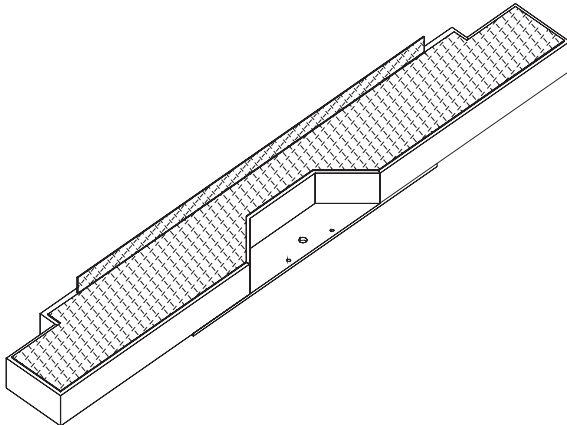
Outrigger Pintle Hook Recessed Treadplate



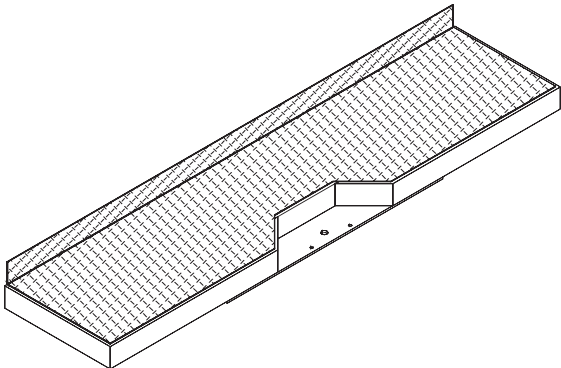
Workbench Pintle Hook Recessed Treadplate



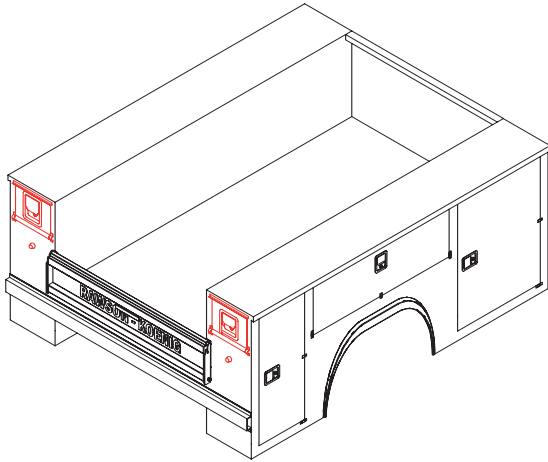
Outrigger Ball Hitch Recessed Treadplate



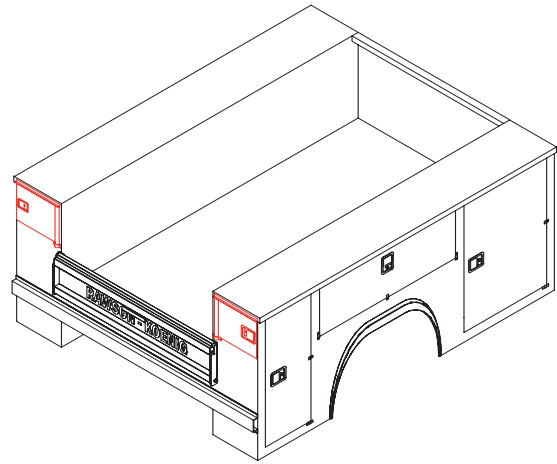
Workbench Ball Hitch Recessed Treadplate



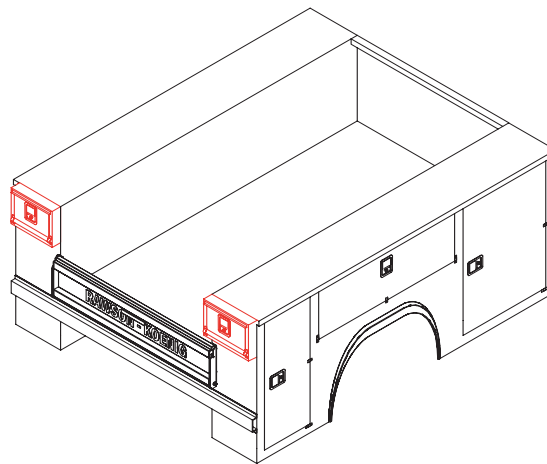
Rear Access Door - Horizontal



Rear Access Door - Vertical

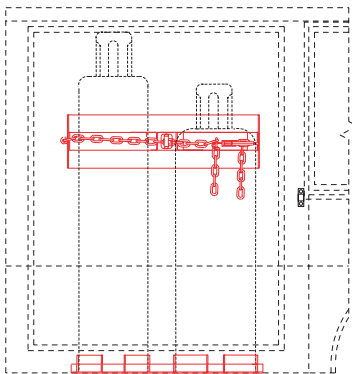


Rear Access Door - Extended

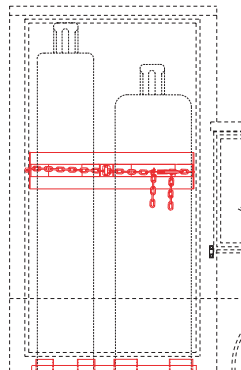


GAS BOTTLE HOLDERS

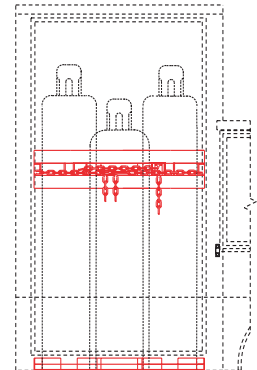
GBH1 - Gas Bottle Holder



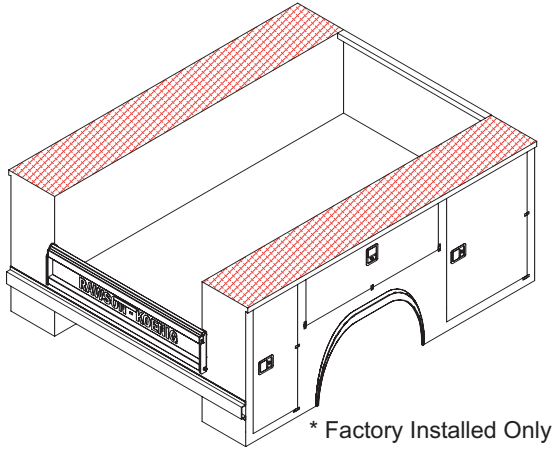
GBH2 - Gas Bottle Holder



GBH3 - Gas Bottle Holder

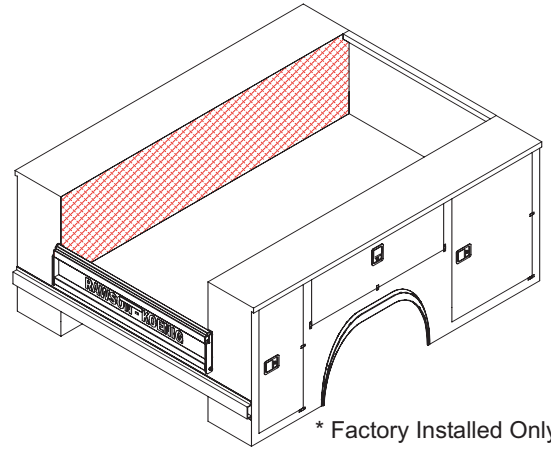


LCT - Liner, Treadplate Compartment Top *



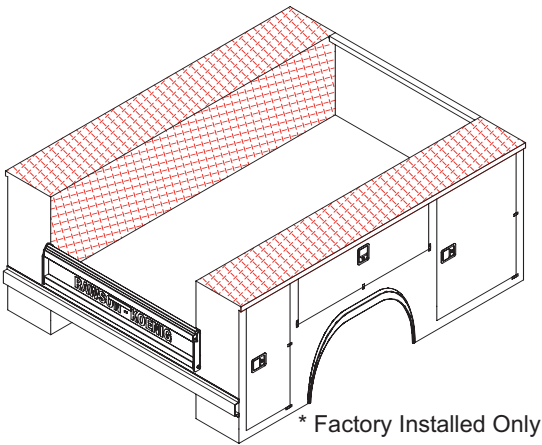
* Factory Installed Only

LCW - Liner, Treadplate Compartment Wall *



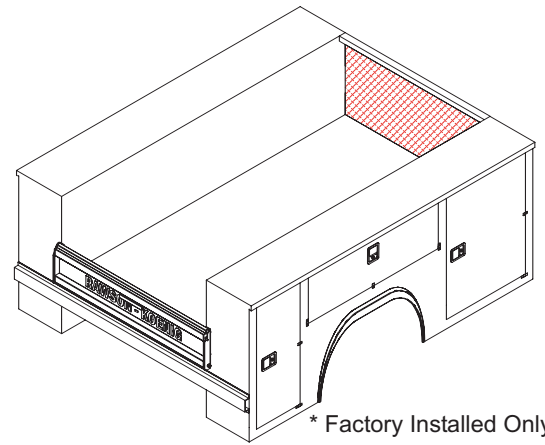
* Factory Installed Only

LTW - Liner, Treadplate Top & Wall *



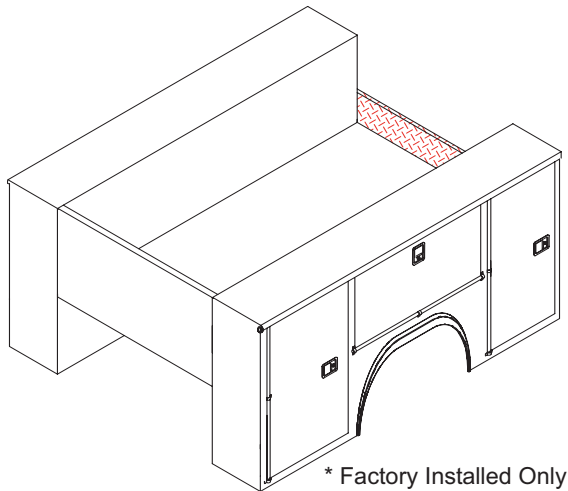
* Factory Installed Only

LFP - Liner, Treadplate Front Panel *



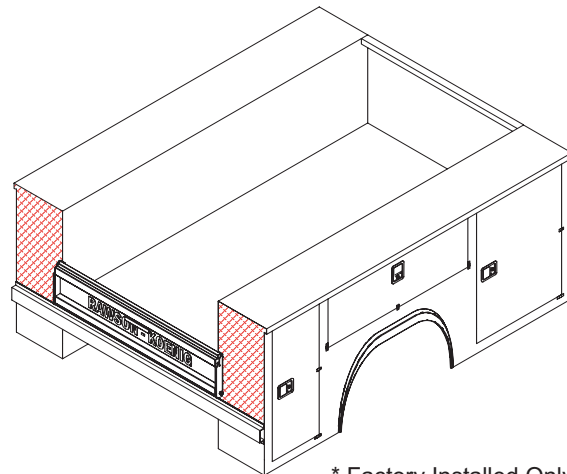
* Factory Installed Only

LTGSL - Liner, Treadplate Slam Tailgate *



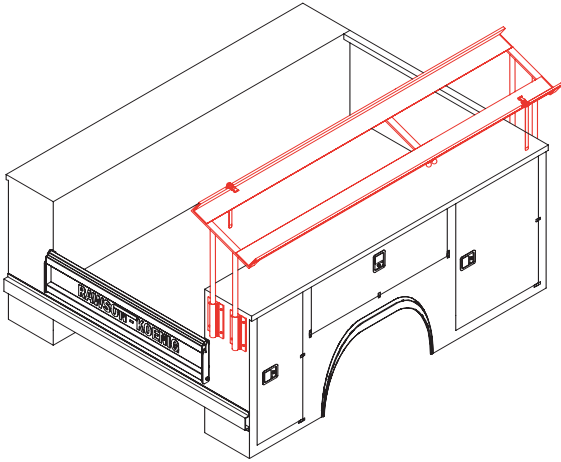
* Factory Installed Only

LCR - Liner, Treadplate Compartment Rear *

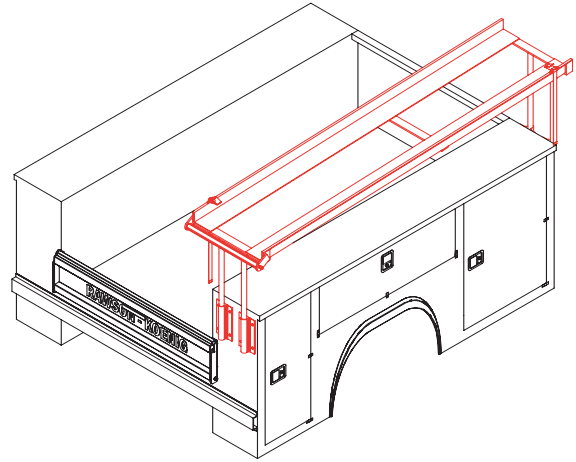


* Factory Installed Only

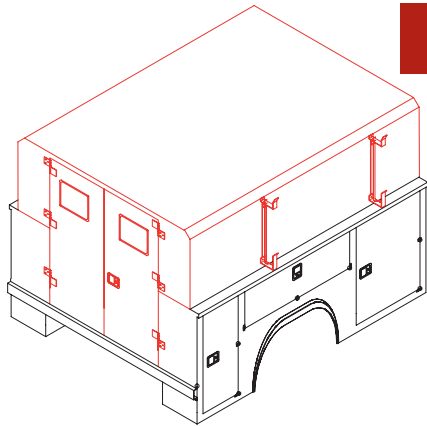
LRA - Ladder Rack (Side Angle Type)



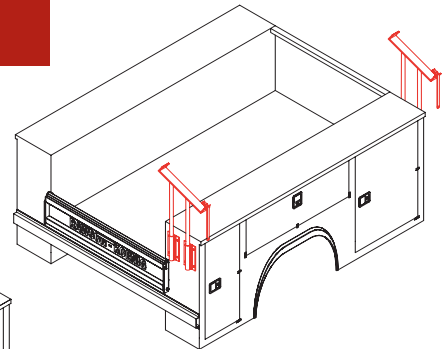
LRF - Ladder Rack (Side Mounted, Flat Type)



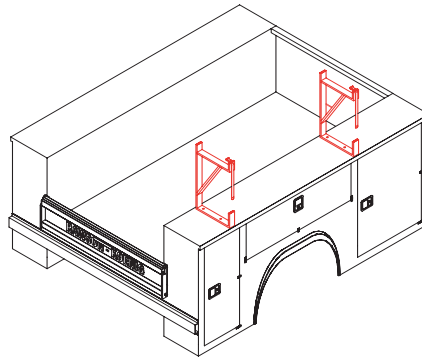
LRK2 - Ladder Rack (Side Mounted for Canopy)



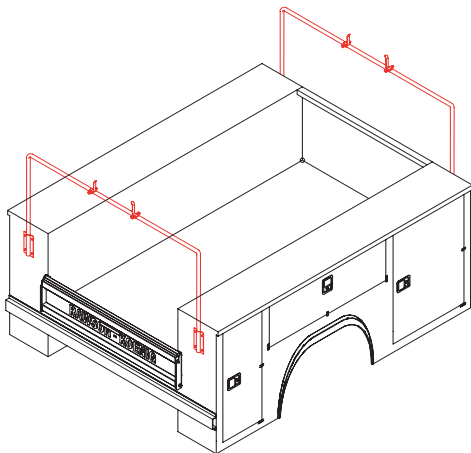
LRK5 - Ladder Rack (Side Mounted Angle Type)



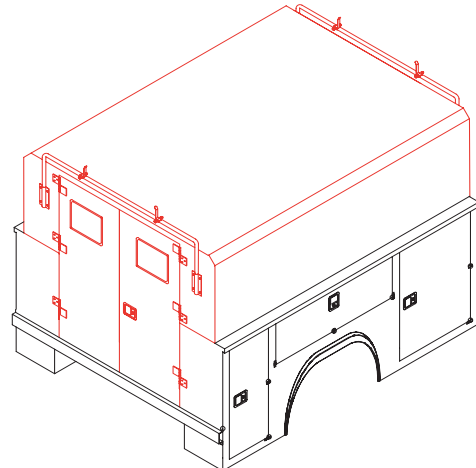
LRK4 - Ladder Rack (Side Mounted for Compartment Top)



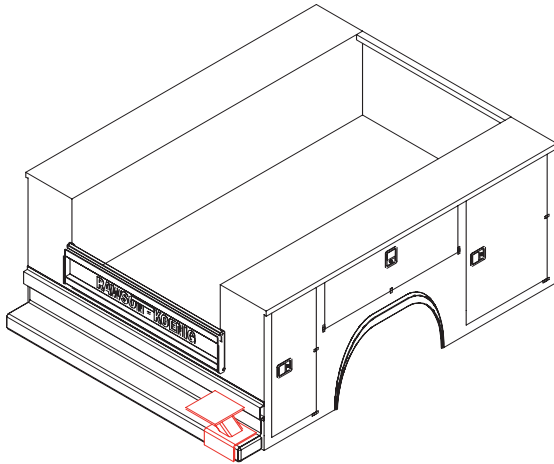
LRO - Ladder Rack (Overhead Style)



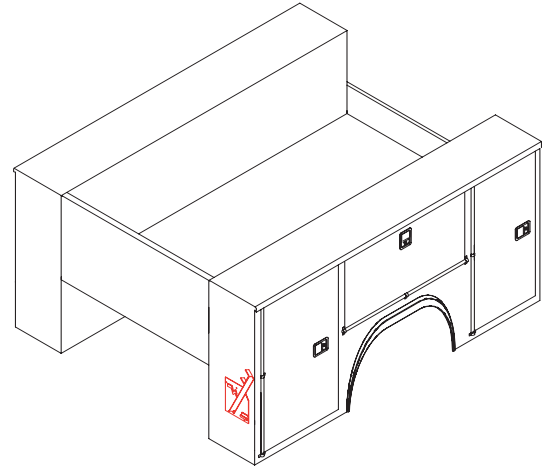
LRO-C Canopy Ladder Rack



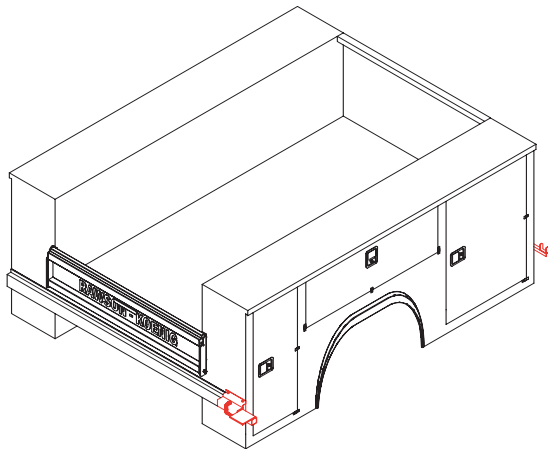
BVRACK1 - Bumper Mounted Vise Bracket



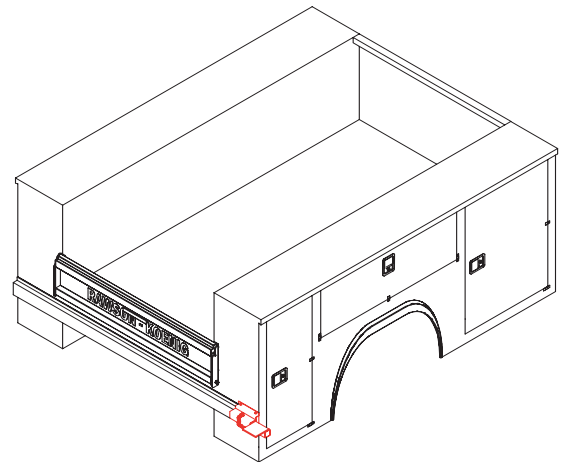
FPS1 - Front Pipe Support Folding



PVB1 - Pipe Vise Bracket
Removable with Front Support

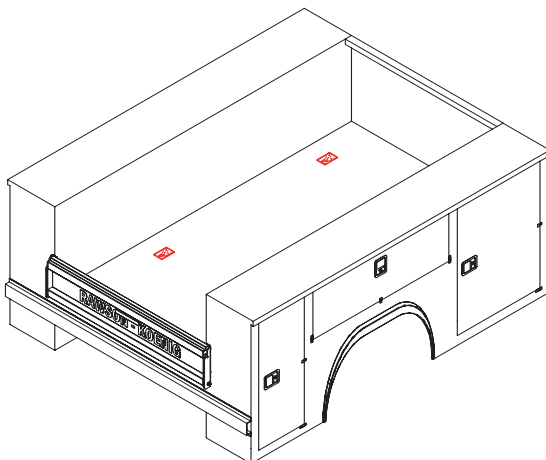


VBR1 - Pipe Vise Bracket
Removable w/o Front Support

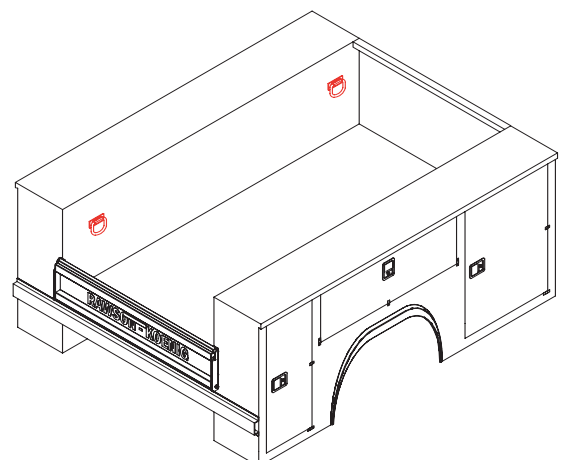


TIE DOWN RINGS

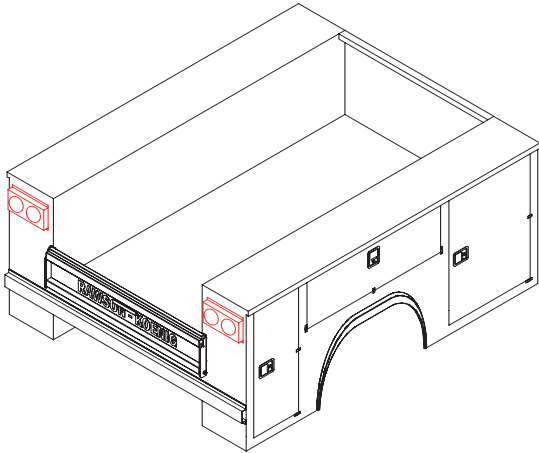
RNG1 - Tie Down Ring
Recess Mount



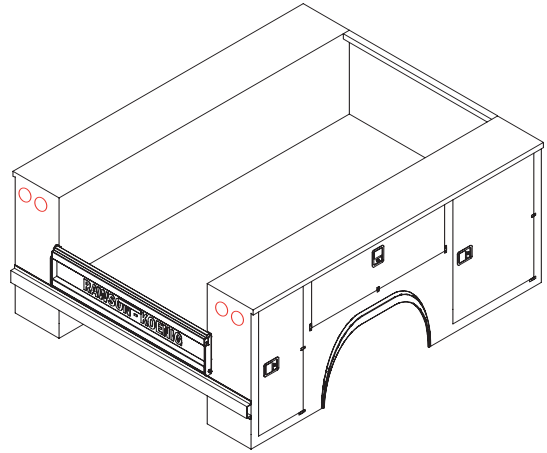
RNG2 - Tie Down Ring
Surface Mount



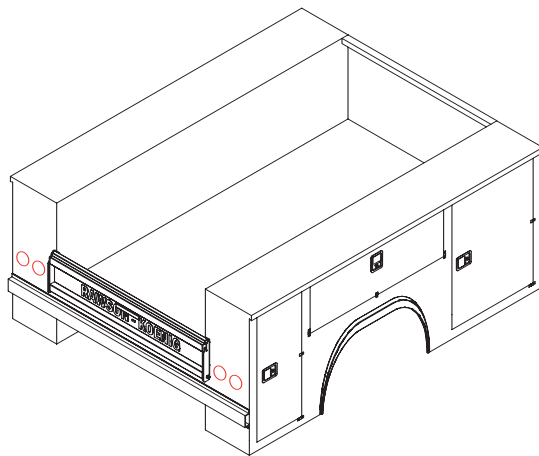
Litemount - Shown High
(can also be mounted low or vertical)



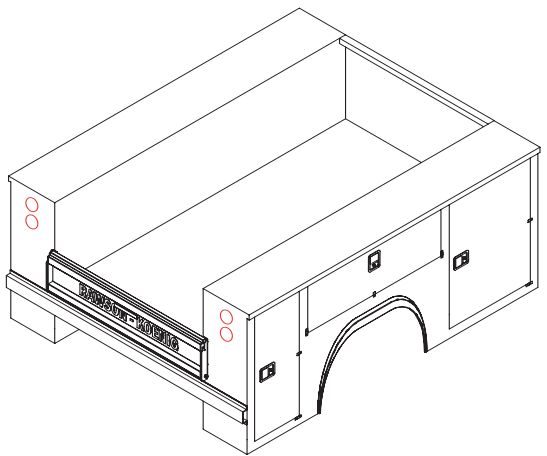
LHH - Light Hole Location - High



LHL - Light Hole Location - Low

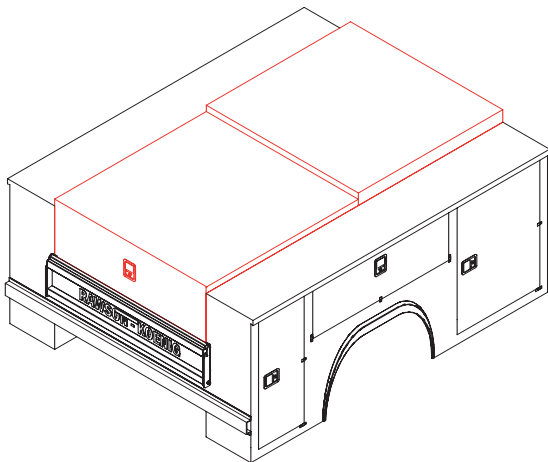


LHV - Light Hole Location - Vertical

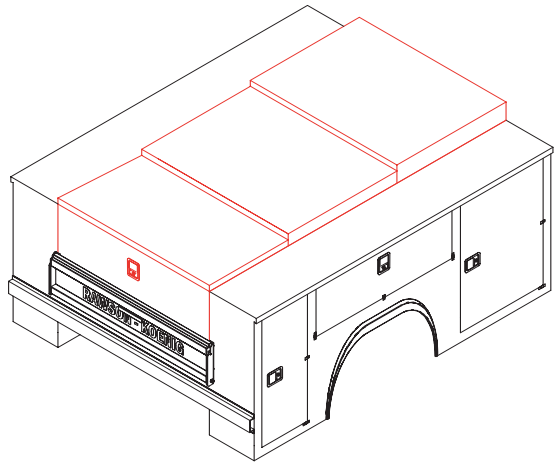


TELESCOPING TOPS

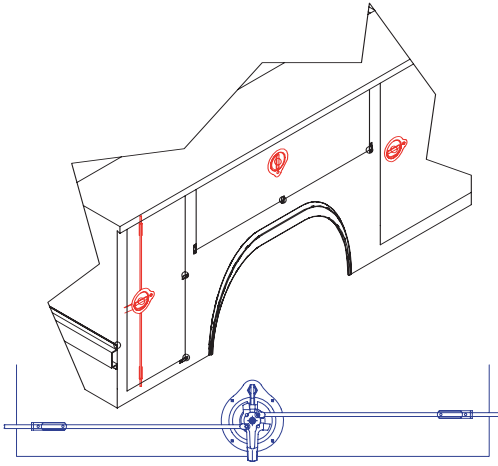
Telescoping Top - 2 Section



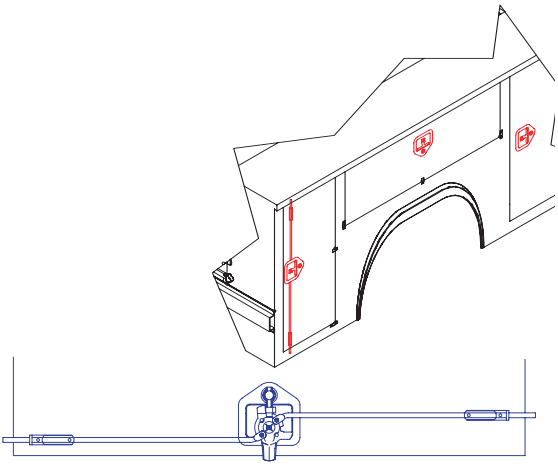
Telescoping Top - 3 Section



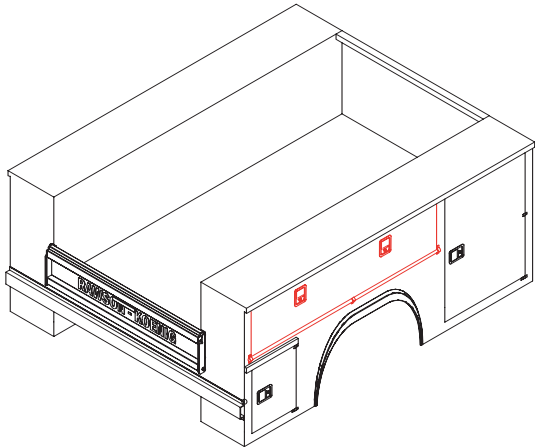
D-Ring Latch Assembly



T-Handle Latch Assembly

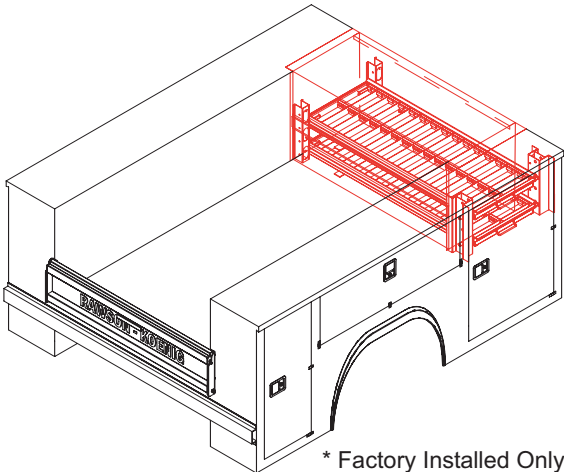


Horizontal Compartment Door
Double Latch Option



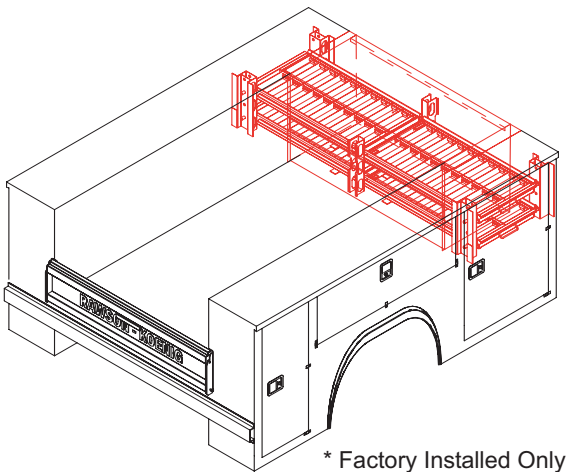
MISCELLANEOUS OPTIONS

TDS - Transverse Drawer System
Long Drawer *



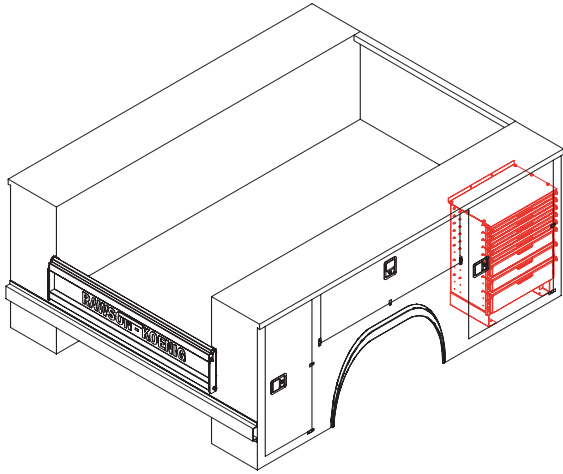
* Factory Installed Only

TDS - Transverse Drawer System
Back-to-Back *

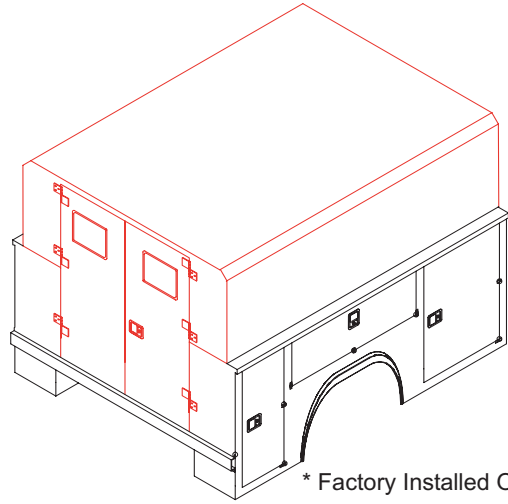


* Factory Installed Only

DS - Drawer System

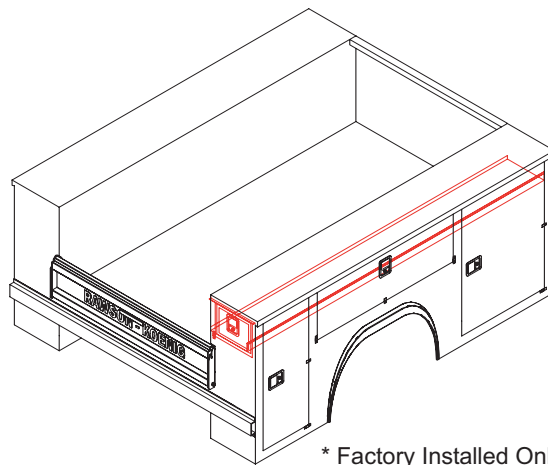


Canopies *



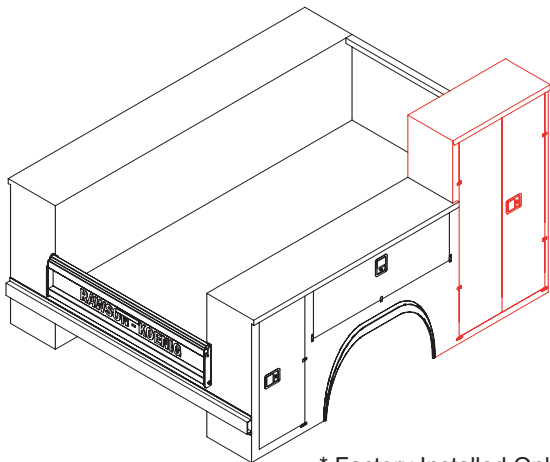
* Factory Installed Only

HSS - Hotstick Shelf *



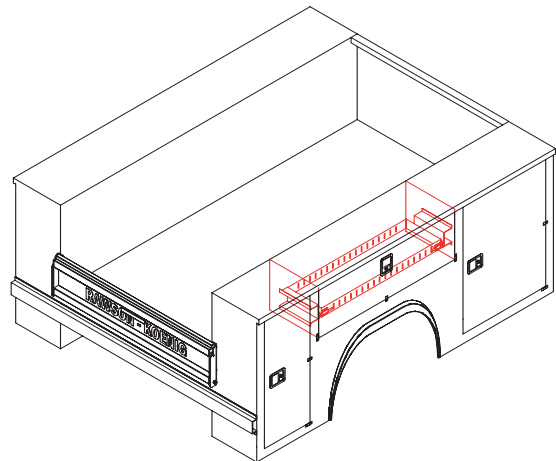
* Factory Installed Only

RFC - Raised Front Compartment *

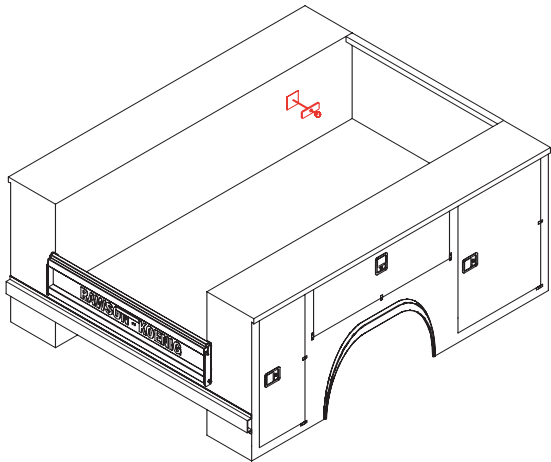


* Factory Installed Only

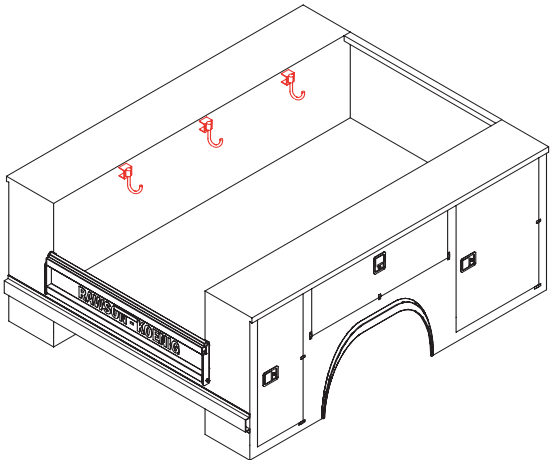
Slide-Out Shelf



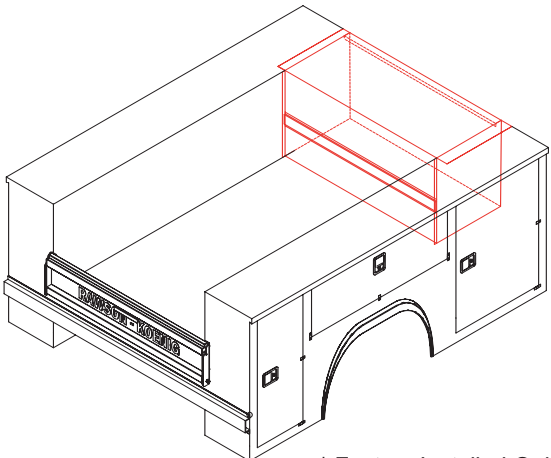
STB - Spare Tire Bracket



4" Swivel Hook

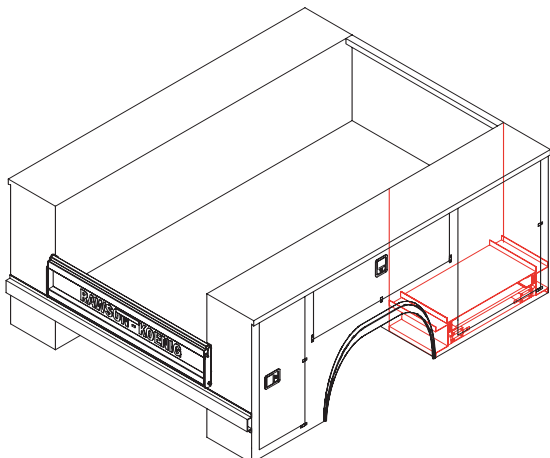


Through Compartment *

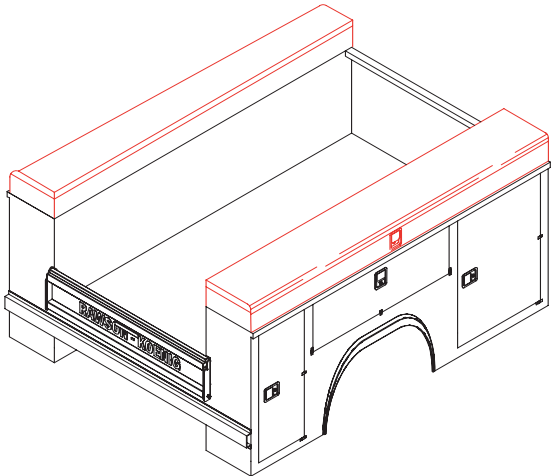


* Factory Installed Only

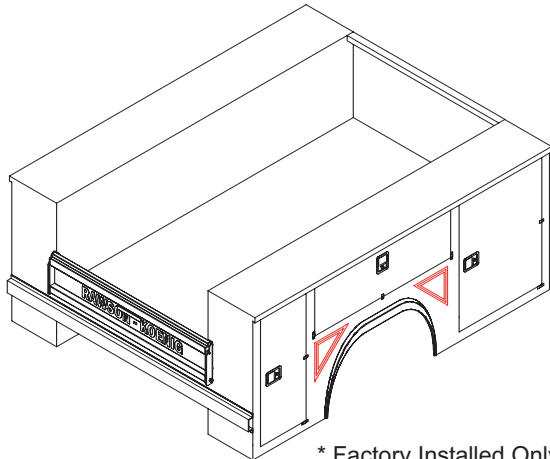
TBT - Toolbox Tray



Topper Compartment Boxes
For 14 1/2" & 20" Compartment Depth



WCH - Wheel Chock Holder *



* Factory Installed Only



www.rki-us.com

Other RKI Quality Products

- > Aluminum Treadplate and Steel Truck Boxes for Pickup Trucks and Flatbeds
- > Custom Service Bodies
- > Custom Truck Boxes
- > Line Bodies
- > Truck Mount Cranes
- > Versatile Storage Systems
- > Winches and Speed Reducers
- > Window Grilles

IN ORDER TO PROVIDE YOU WITH THE MOST INNOVATIVE AND PROGRESSIVE EQUIPMENT, ALL PRICES, SPECIFICATIONS, AND DESIGNS ARE SUBJECT TO CHANGE WITHOUT NOTICE.

07/06