



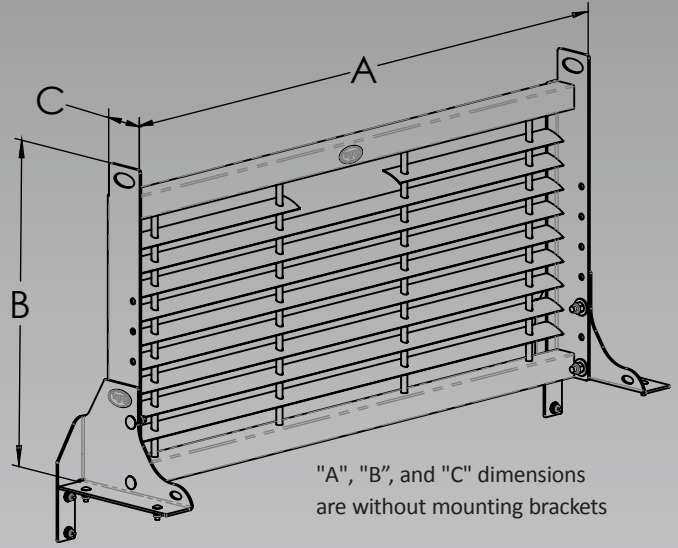
COMMERCIAL GRADE TRUCK EQUIPMENT

Service Body Window Grilles

RKI Window Grilles protect your rear window from accidental breakage and protect your truck's interior from sun damage, while allowing unobstructed visibility.

STANDARD FEATURES

- RKI Window Grilles are built of heavy duty steel with a polyester powder coat finish to provide many years of dependable service
- Engineered for application with RKI Service Bodies, including L/R combinations like an ST5680
- Vertical adjustment on both side of 10" on 2 1/2" increments to fit Chevy, Ford, GMC, and Ram trucks
- Convenient tie downs integrated at the top and bottom to aid in securing cargo
- Rear cutout for stoplight visibility
- All WG products are also available in black powder coat finish—just add a "B" to the end of the model number



"A", "B", and "C" dimensions are without mounting brackets

SPECIFICATIONS

Model	Load Area Width	A Length	B Height	C Depth	Approx. Weight (lbs)
STEEL					
WG49	49"	48 1/2"	27"	3 3/4"	61
WG50	50"	49 1/2"	27"	3 3/4"	61
WG51	51"	50 1/2"	27"	3 3/4"	62
WG54	54"	53 1/2"	27"	3 3/4"	62
WG60	60"	59 1/2"	27"	3 3/4"	68
WG65	65"	64 1/2"	27"	3 3/4"	70

