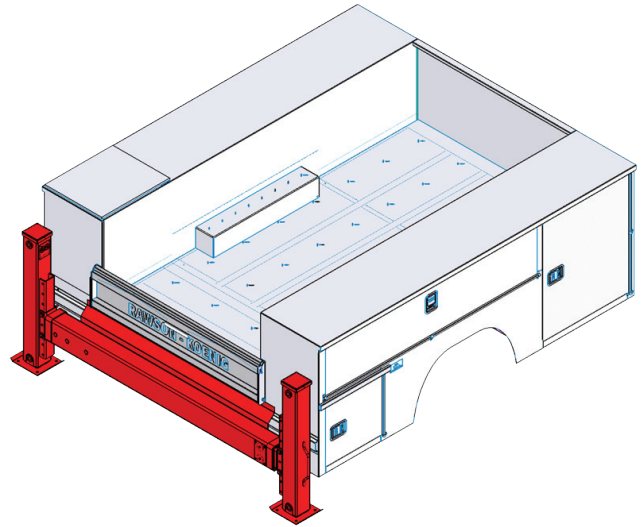


**ORFR894**  
Front Outrigger



**ORHH894**  
Hydraulic Out/Hydraulic Down Outrigger



**ORMM894**  
Manual Out/Manual Down Outrigger

Model	Application	Body Width
ORFR894	Front Outrigger	N/A
ORHH889	Hydraulic Out/Hydraulic Down	89"
ORHH894	Hydraulic Out/Hydraulic Down	94"
ORMH889	Manual Out/Hydraulic Down	89"
ORMH894	Manual Out/Hydraulic Down	94"
ORMM489	Manual Out/Manual Down (For up to 4,000 lb. Cranes)	89"
ORMM494	Manual Out/Manual Down (For up to 4,000 lb. Cranes)	94"
ORMM889	Manual Out/Manual Down (For up to 8,000 lb. Cranes)	89"
ORMM894	Manual Out/Manual Down (For up to 8,000 lb. Cranes)	94"
PKG CHG OR	Palletize for shipment (Required for motor freight)	

Designed for use with C-series crane bodies  
Custom for Dodge Applications